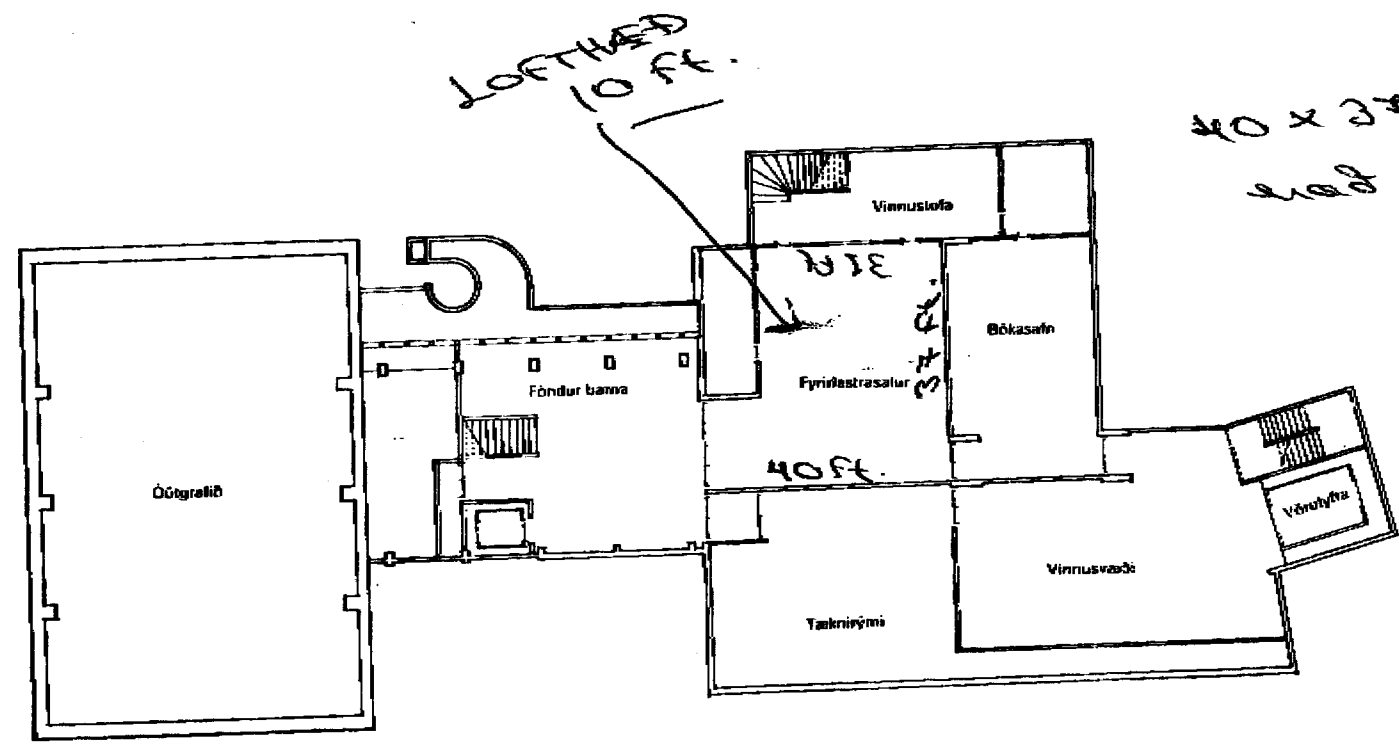


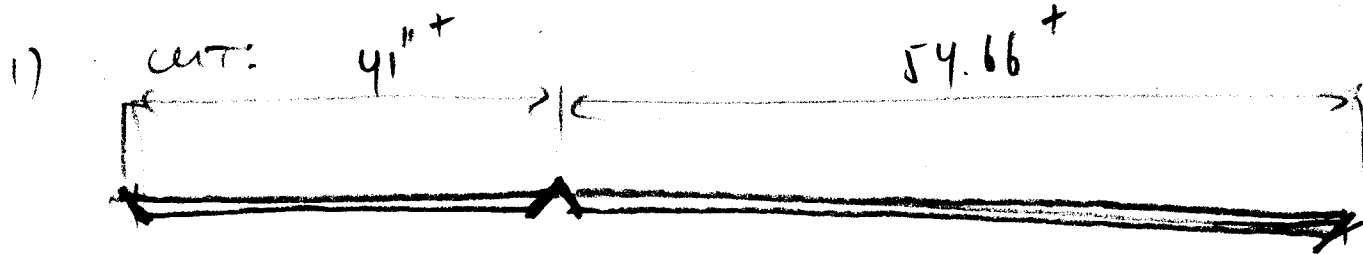
JARDHÆÐ



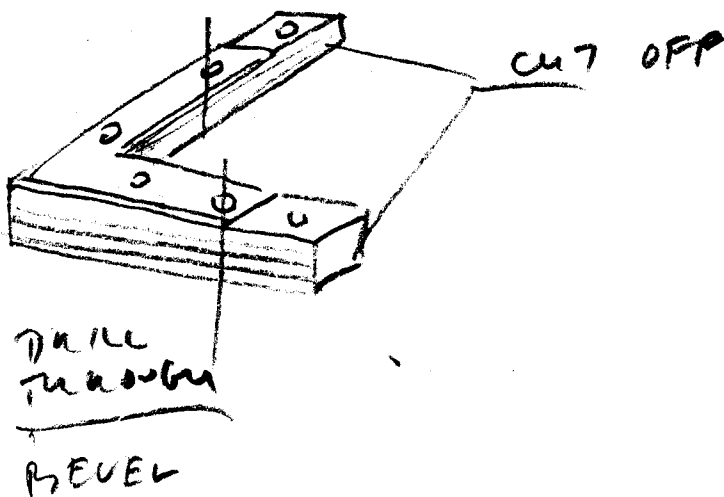
KJALLARI

MAKE: TWO FRAMES

V-CHANNEL  
TOTAL LENGTH: 96" (8 FT) (4 PIE)

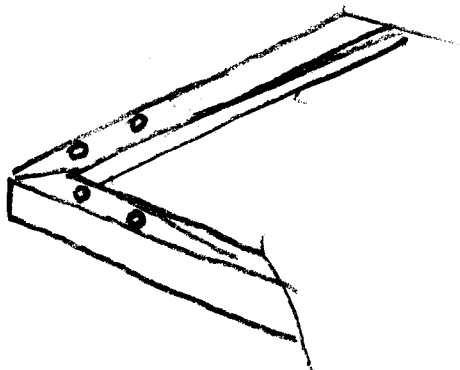


2) CUT / DRILL / BEVEL (TOTAL 8 PIECES)



CORNER CORNERS

3) DRILL NEAR OF FRAMES

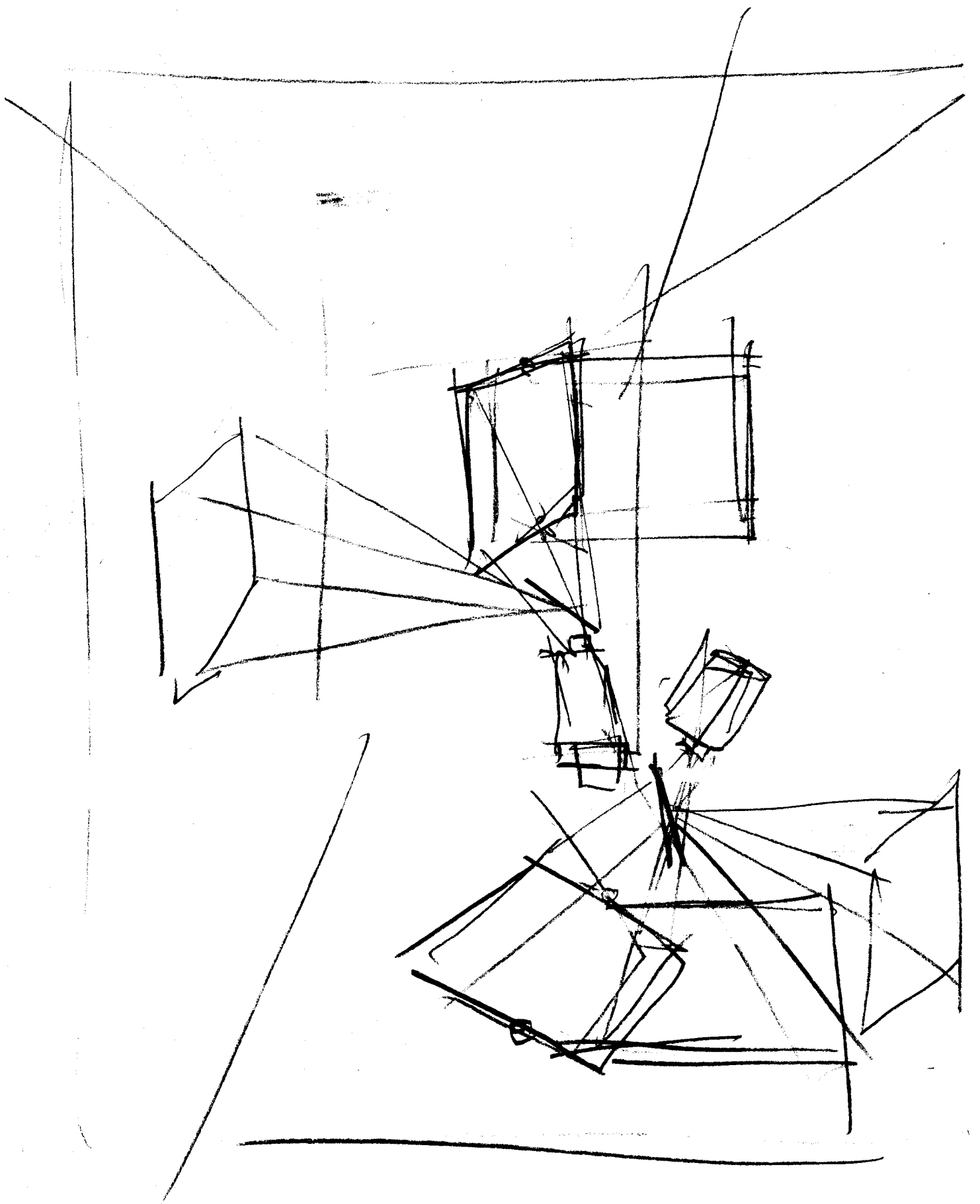


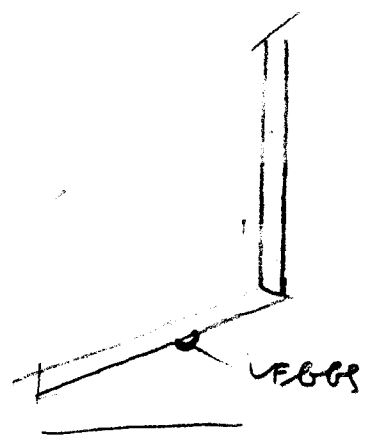
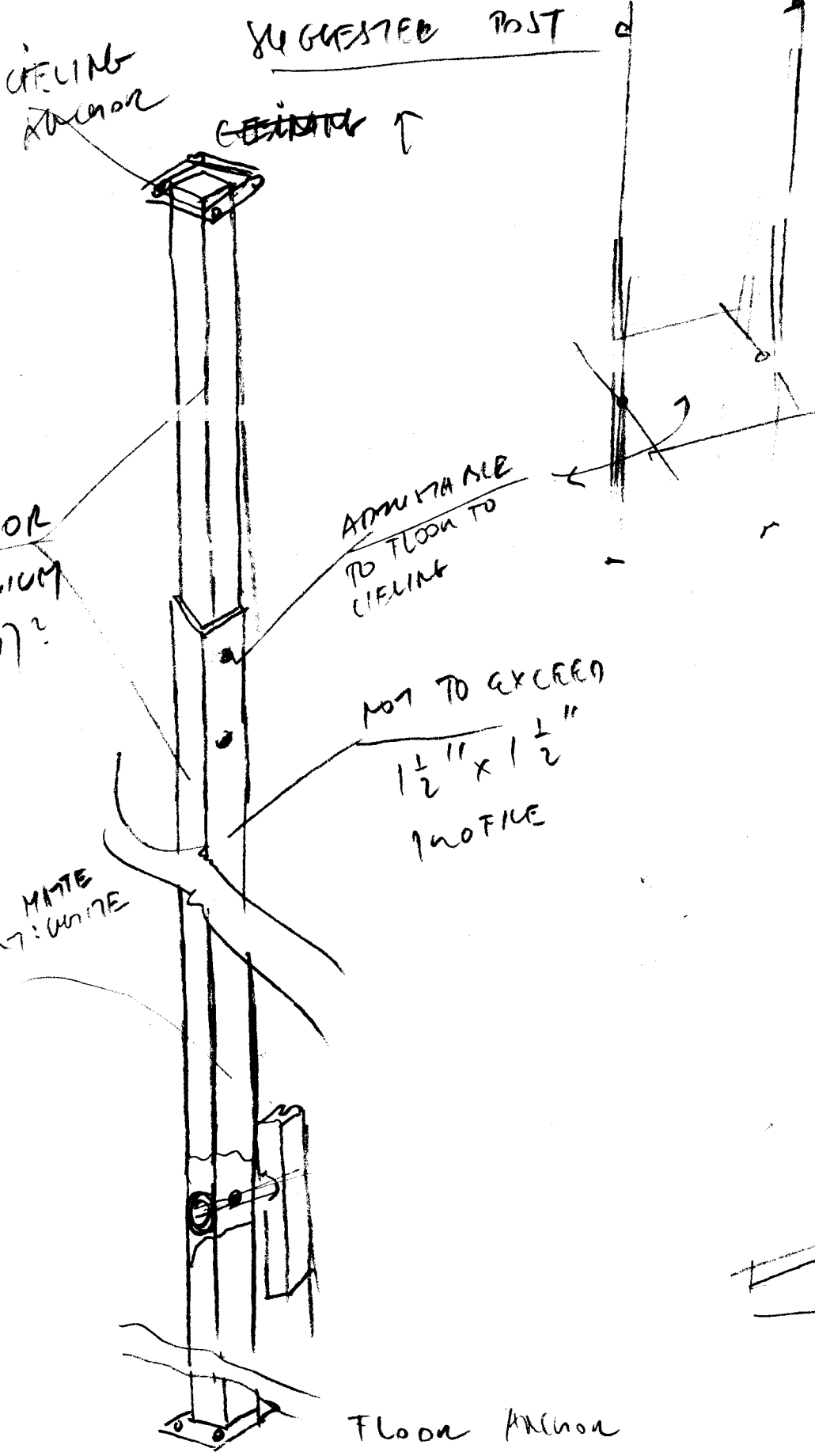
THE VASULKAS INC.  
471-7181 FAX: 473-0614  
ROUTE 6 BOX 100  
SANTA FE NM 87501

4) BUY 4 SCREEN HOLDERS AND DRILL / BEVEL SHORTER SIDES OF FRAME  
SEE SAMPLE (FLAT ALUMINIUM)

(CUT, DRILL, THREADED / BEVEL)

/COAT





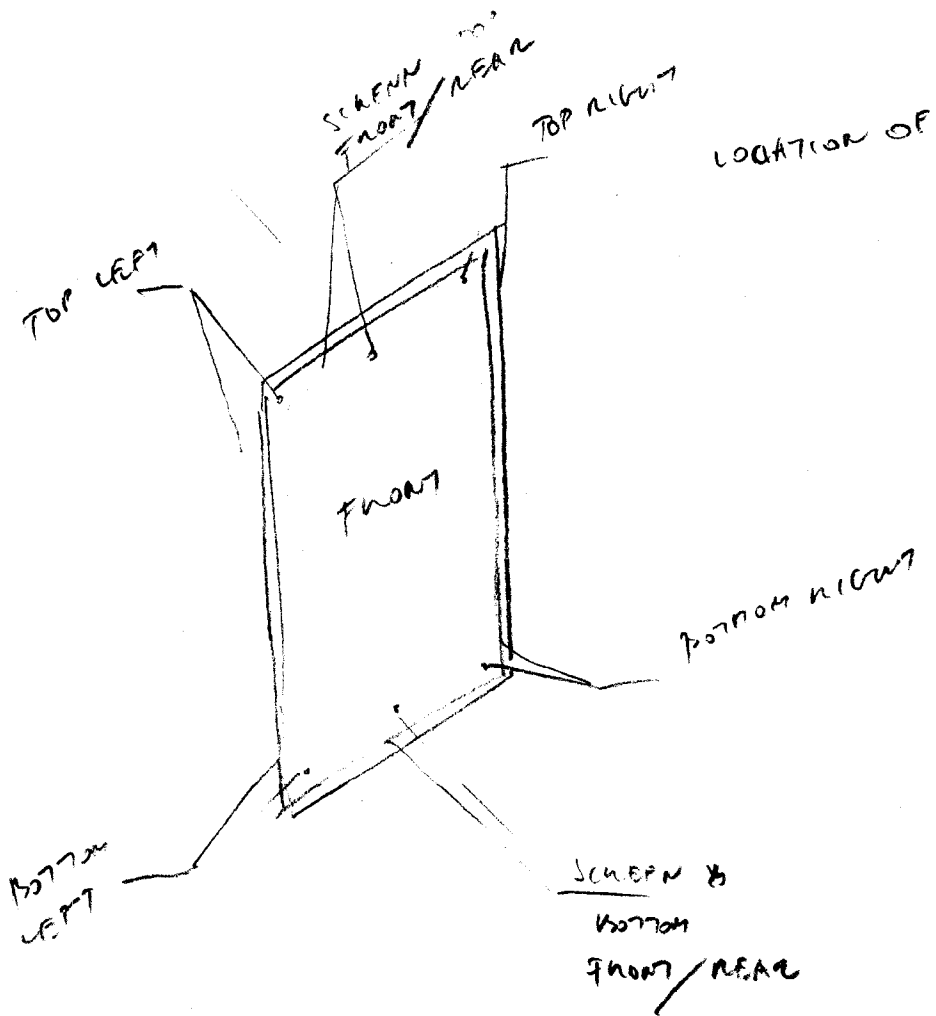
# FRAME

FRAME(1,2)  
F1 - TR -  
TB -  
F-2  
SC-1  
SC-2 - T  
- B

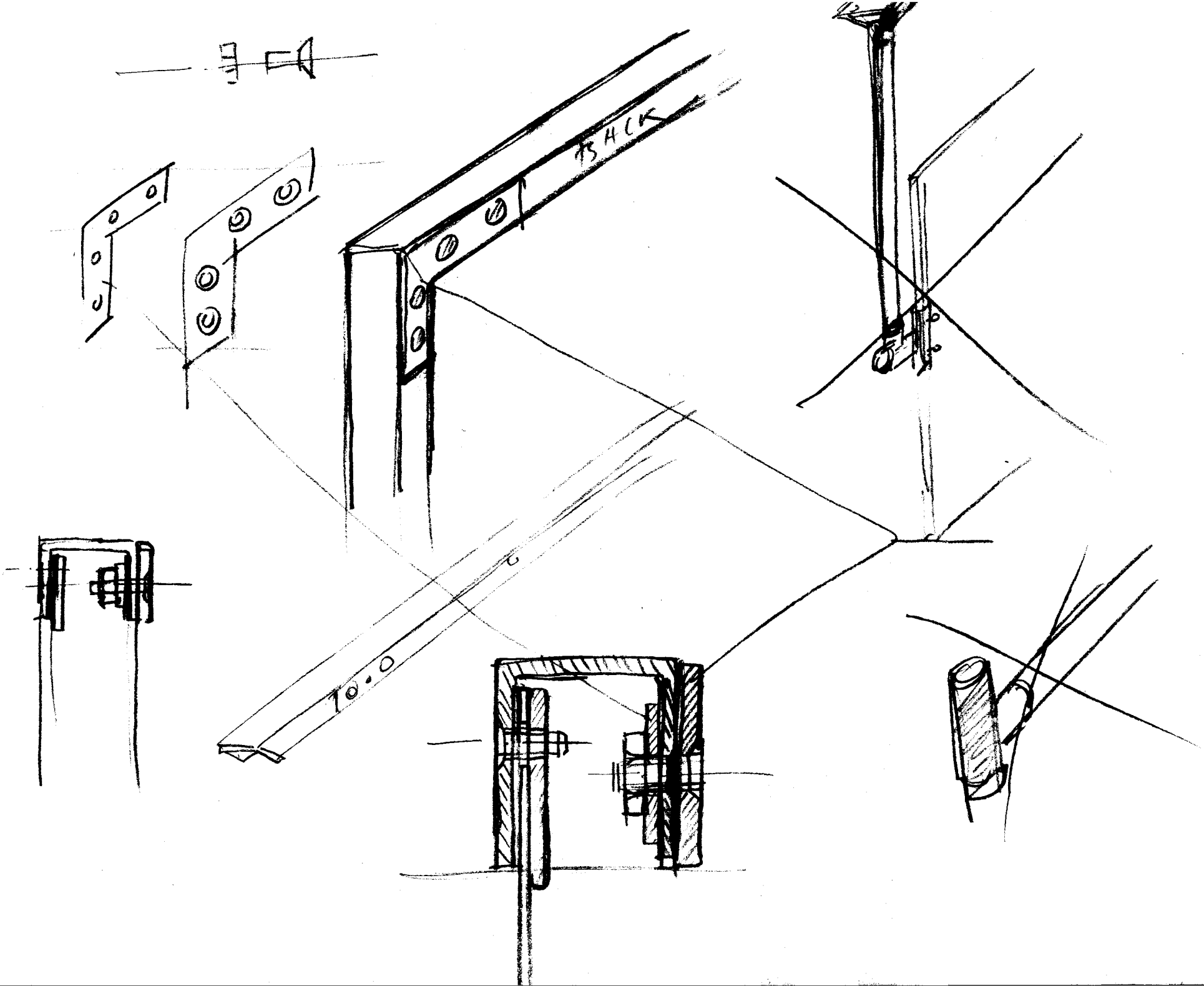
TOP VIEW LEFT  
BOTTOM VIEW LEFT

FROM THE FRONT

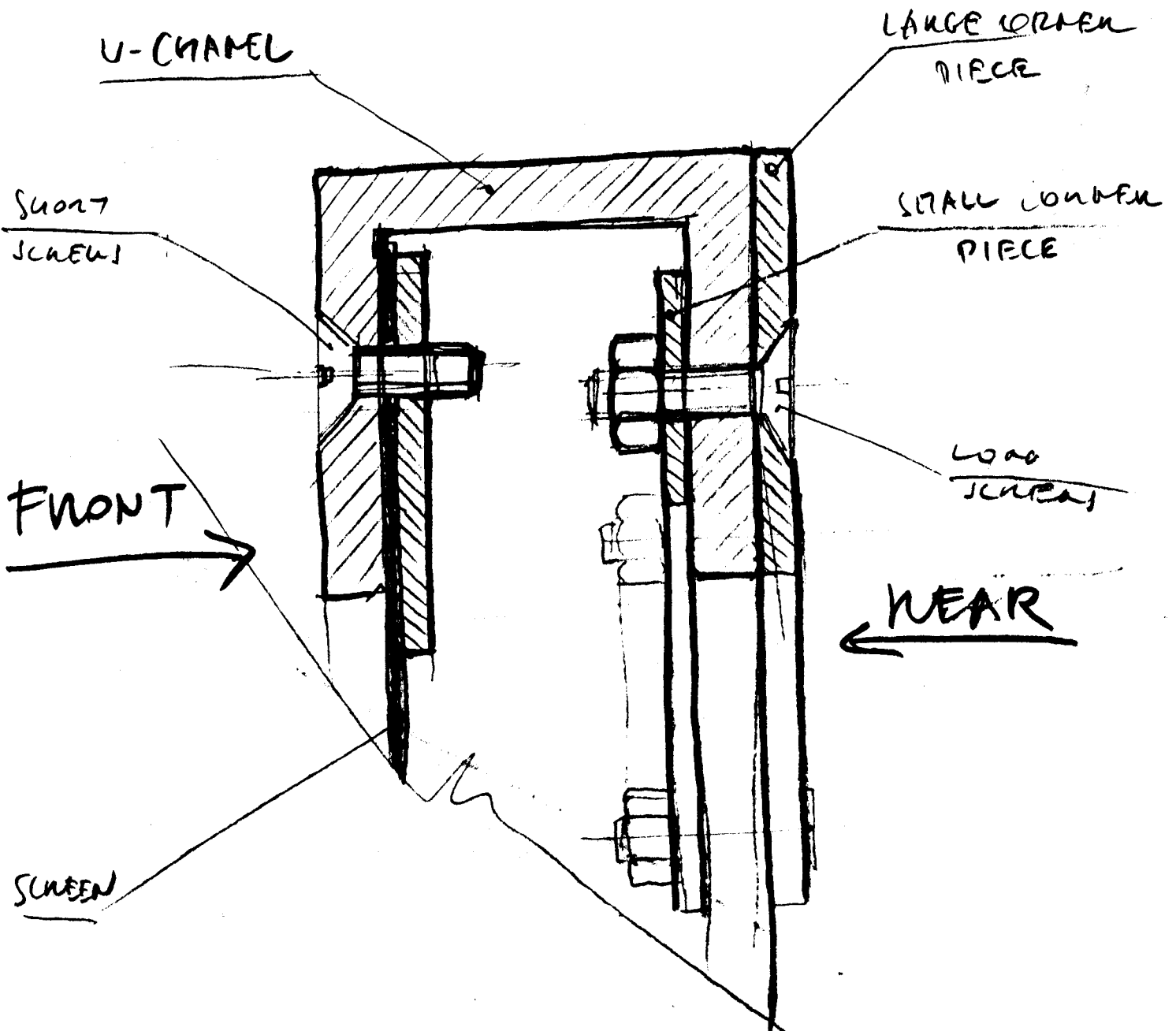
FR-1 - TOP-R  
TOP-L



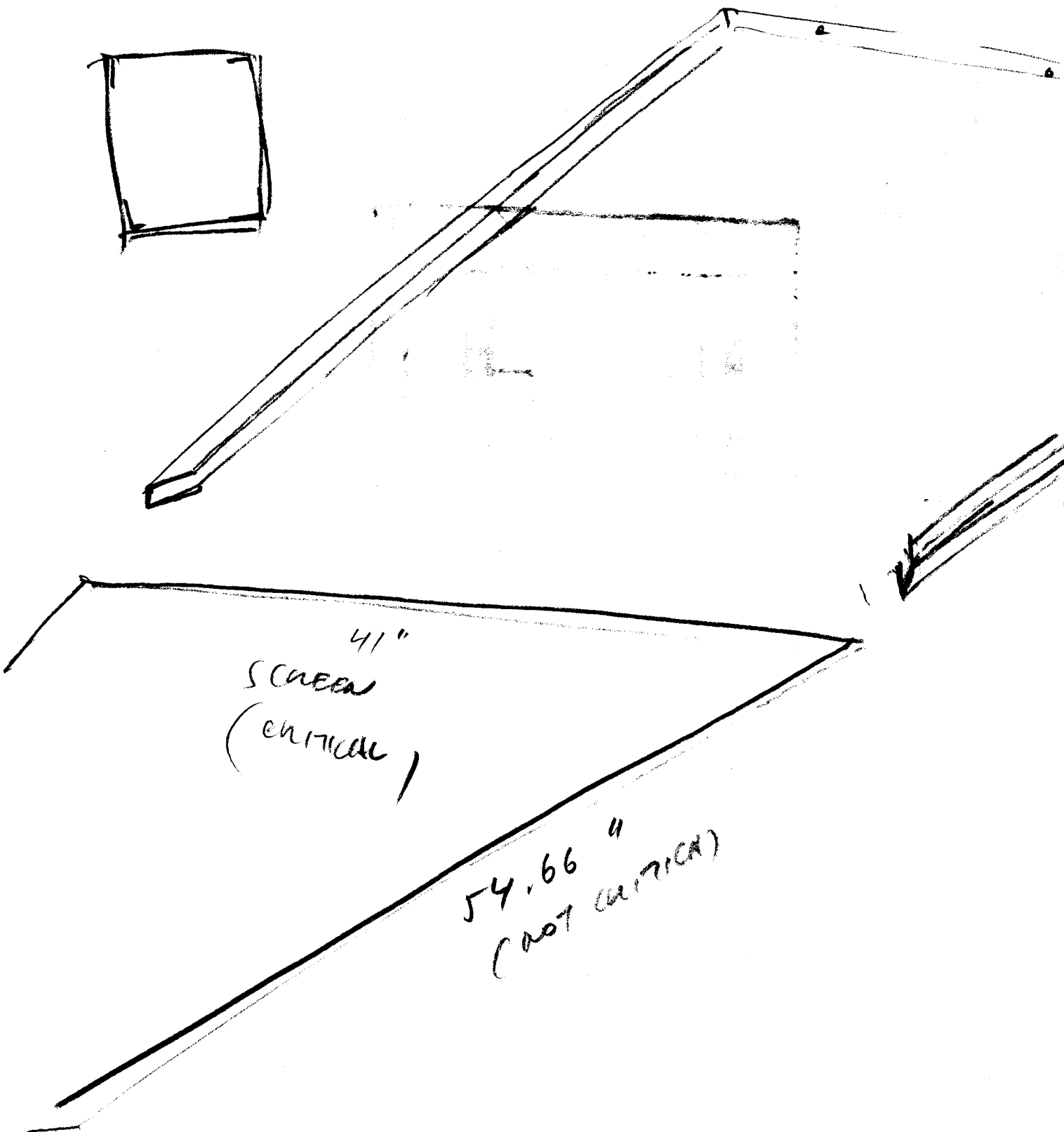
VASULIKAS INC.  
971-7181 FAX: 473-0614  
ROUTE 6 BOX 100  
SANTA FE NM 87501



# CORNER JOINT (DETAIL)

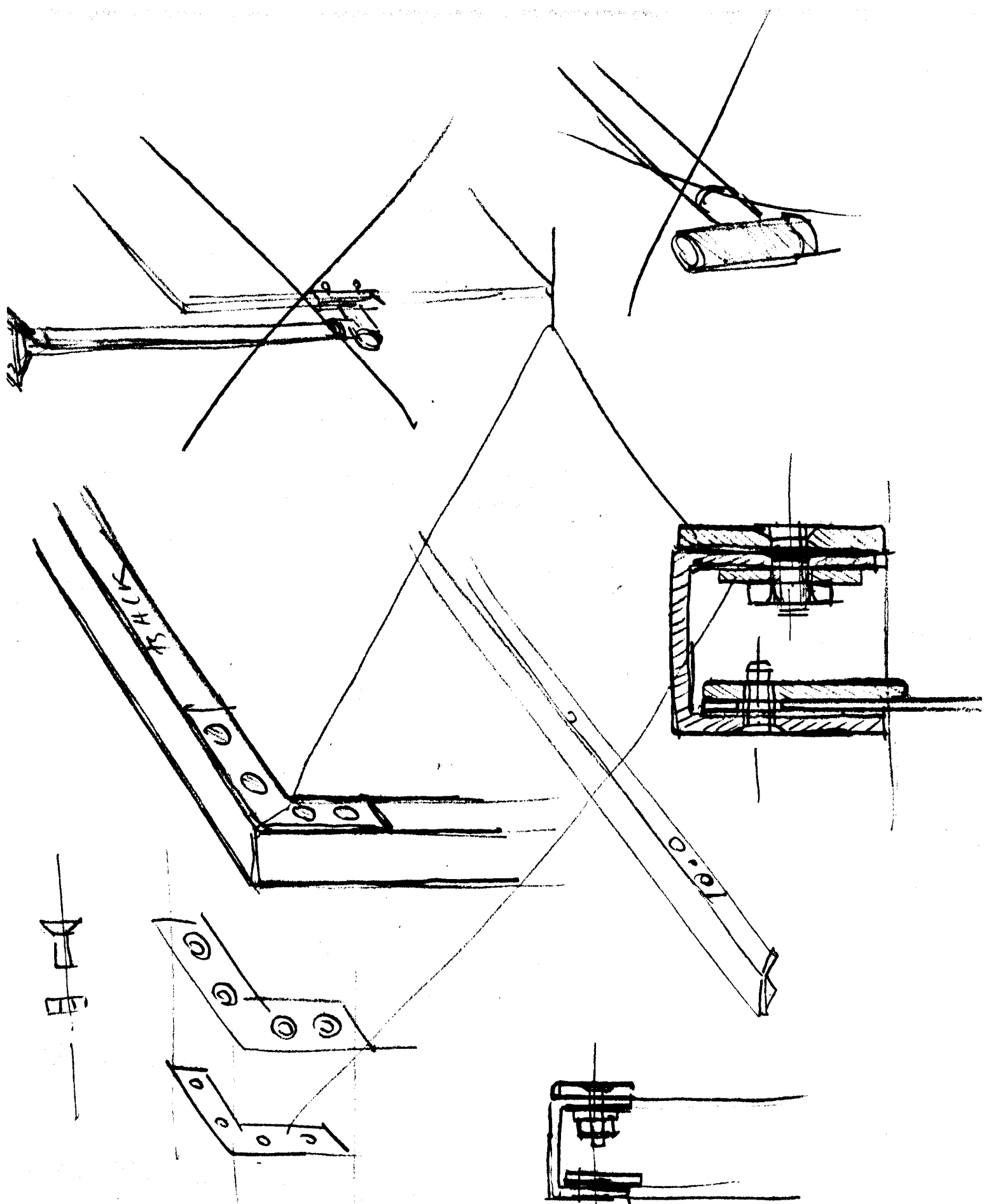


THE VASULKAS INC.  
471-7181 FAX: 473-0614  
ROUTE 6 BOX 100  
SANTA FE NM 87501

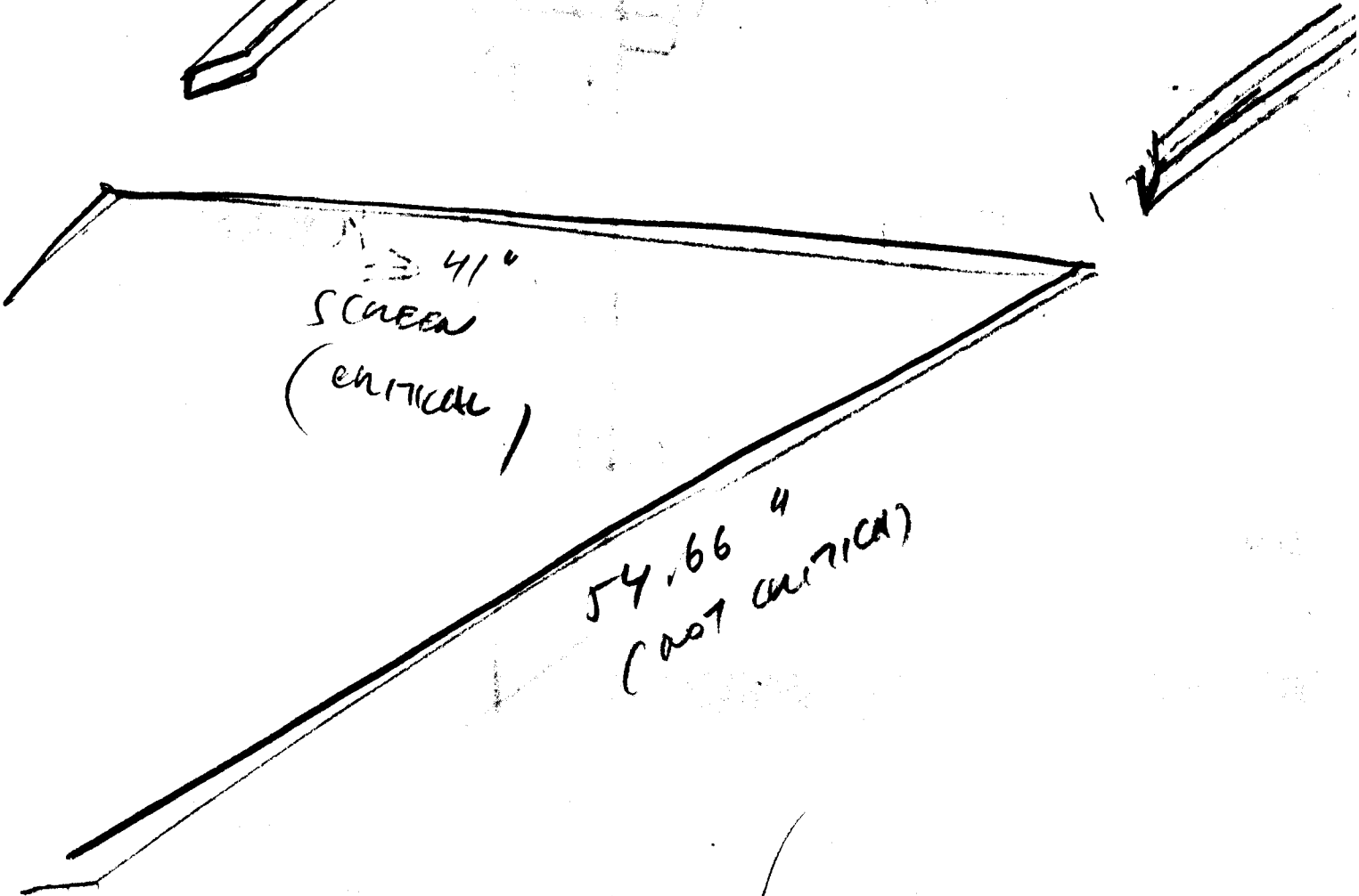
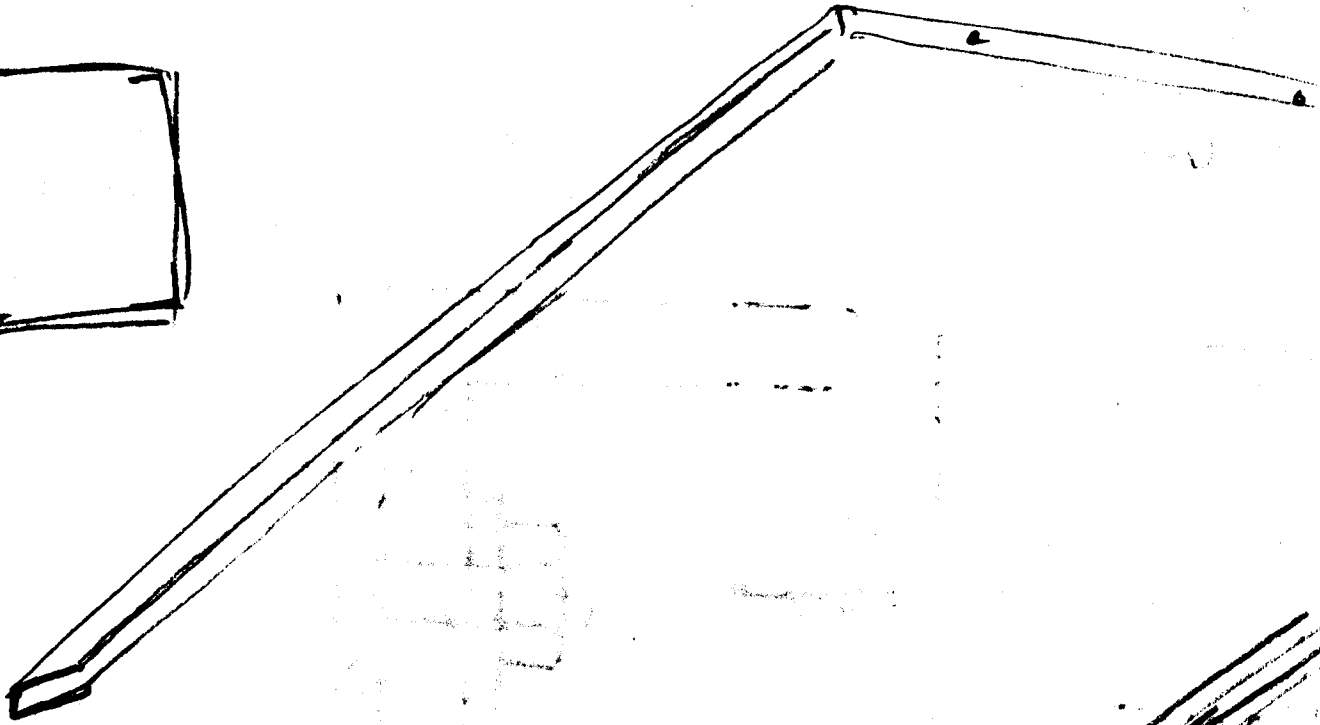
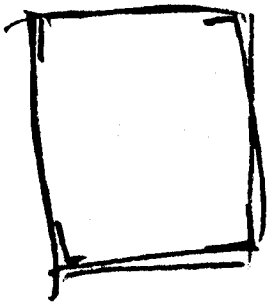


THE VASULKAS INC.  
471-7181 FAX: 473-0614  
ROUTE 6 BOX 100  
SANTA FE NM 87501





THE VASULKAS INC.  
171-7181 FAX: 473-0814  
ROUTE 6 BOX 100  
SANTA FE NM 87501



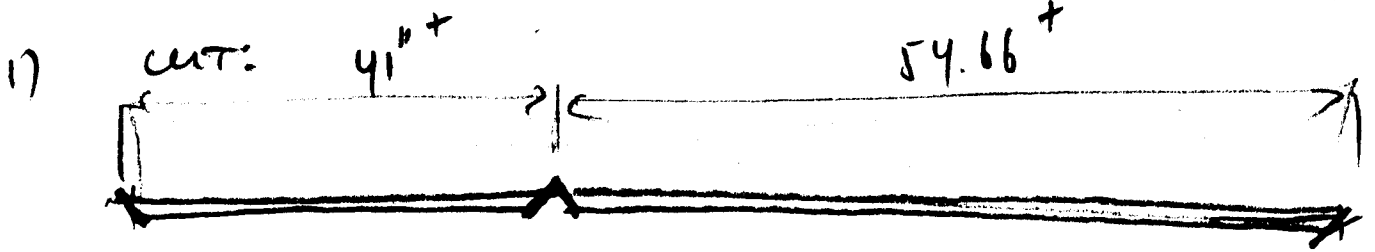
$\approx 41^\circ$   
SCREEN  
(critical)

54.66'  
(not critical)

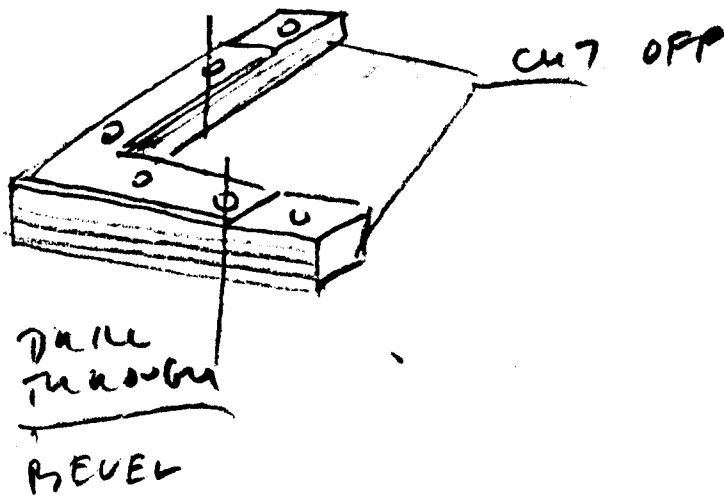
THE VASULKAS INC.  
471-7181 FAX: 473-0614  
ROUTE 6 BOX 100  
SANTA FE NM 87501

MAKE: TWO FRAMES

V-CHANNEL  
TOTAL LENGTH: 96" (8 FT) (4 P)

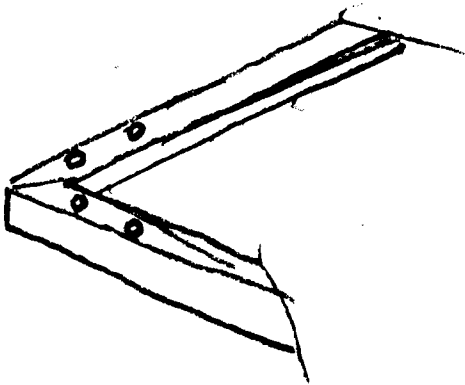


2) CUT, DRILL, BEVEL (TOTAL 8 PIECES)



CARRIER CORNER

3) DRILL NEAR OF FRAMES



THE VASULKAS INC.  
471-7181 FAX: 473-0614  
ROUTE 6 BOX 100  
SANTA FE NM 87501

4) MAKE 4 SCREEN HOLDERS AND DRILL/BEVEL SHORTER SIDES OF FRAME  
SEE SAMPLE (FLAT ALUMINUM)

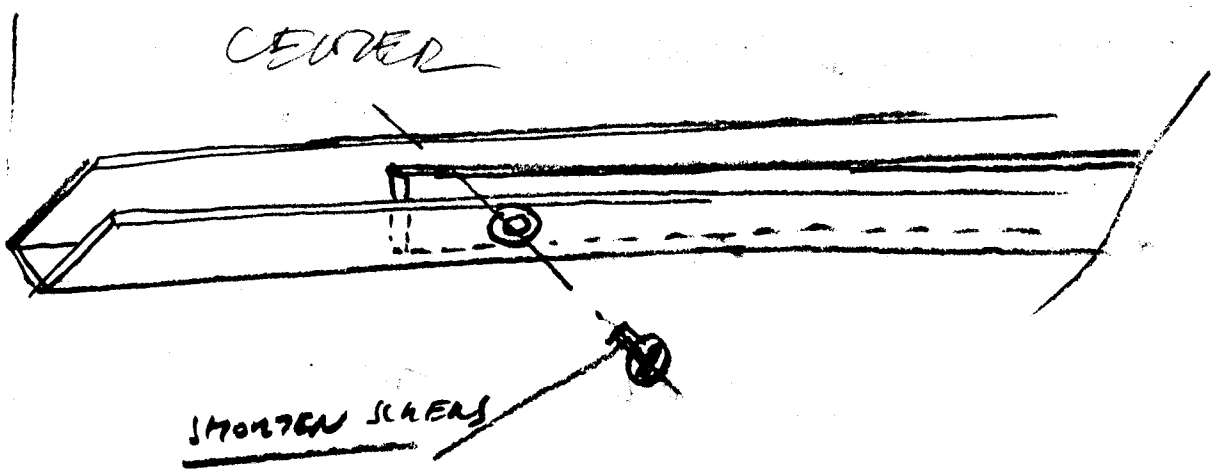
(CUT, DRILL, THREADED BEVEL)

FRAM  
S0027

COAT

PRINT OUT FROM

4) COAT :



5) SHORTEN SCREWS ~~MAKING~~ 20 PIECES +  
(20 MORE)

T

PRINT OUT FROM

THE VASULKAS INC.  
471-7181 FAX: 473-0614  
ROUTE 6 BOX 100  
SANTA FE NM 87501

THE VASULKAS INC.  
471-7181 FAX: 473-0614  
ROUTE 6 BOX 100  
SANTA FE NM 87501

Listasafn Íslands og Norræna listamiðstöðin í Sveaborg  
bjóða yður að vera við opnun sýningarinnar

## **ORKA & VÍDDIR**

BOREALIS 6

í Listasafninu laugardaginn 8. maí 1993 kl. 15.00.

Listamennirnir verða viðstaddir opnunina.

Sýningunni lýkur 20. júní.

Listasafn Íslands and the Nordic Arts Center, Sveaborg,  
cordially invite you to the opening of the exhibition

## **ENERGY & ELEMENTS**

BOREALIS 6

on Saturday, May 8th, 1993 at 15.00 at Listasafn Íslands

The artists will be present at the opening.

The exhibition closes on June 20th.

**GIOVANNI ANSELMO**

**FINN NAUR PETERSEN**

**FINNBOGI PÉTURSSON**

**ULF ROLLOF**

**ROMAN SIGNER**

**BENTE STOKKE**

**STEINA VASULKA**

**MAARIA WIRKKALA**

