

FLIP/FLOP

by Steina (1983)

Concept: Camera on a turntable panning in a single direction, is internally programmed at preset intervals to reverse its horizontal scan.

Software: Self-generating

Hardware: B/W camera w/lens  
Turntable with Power supply  
Scan swither (custom built)  
3 B/W monitors

The installation's hardware:

Special: B/W camera with lens, Turntable with Power supply,  
Scan switcher (custom built).

Standard: 3 B/W monitors

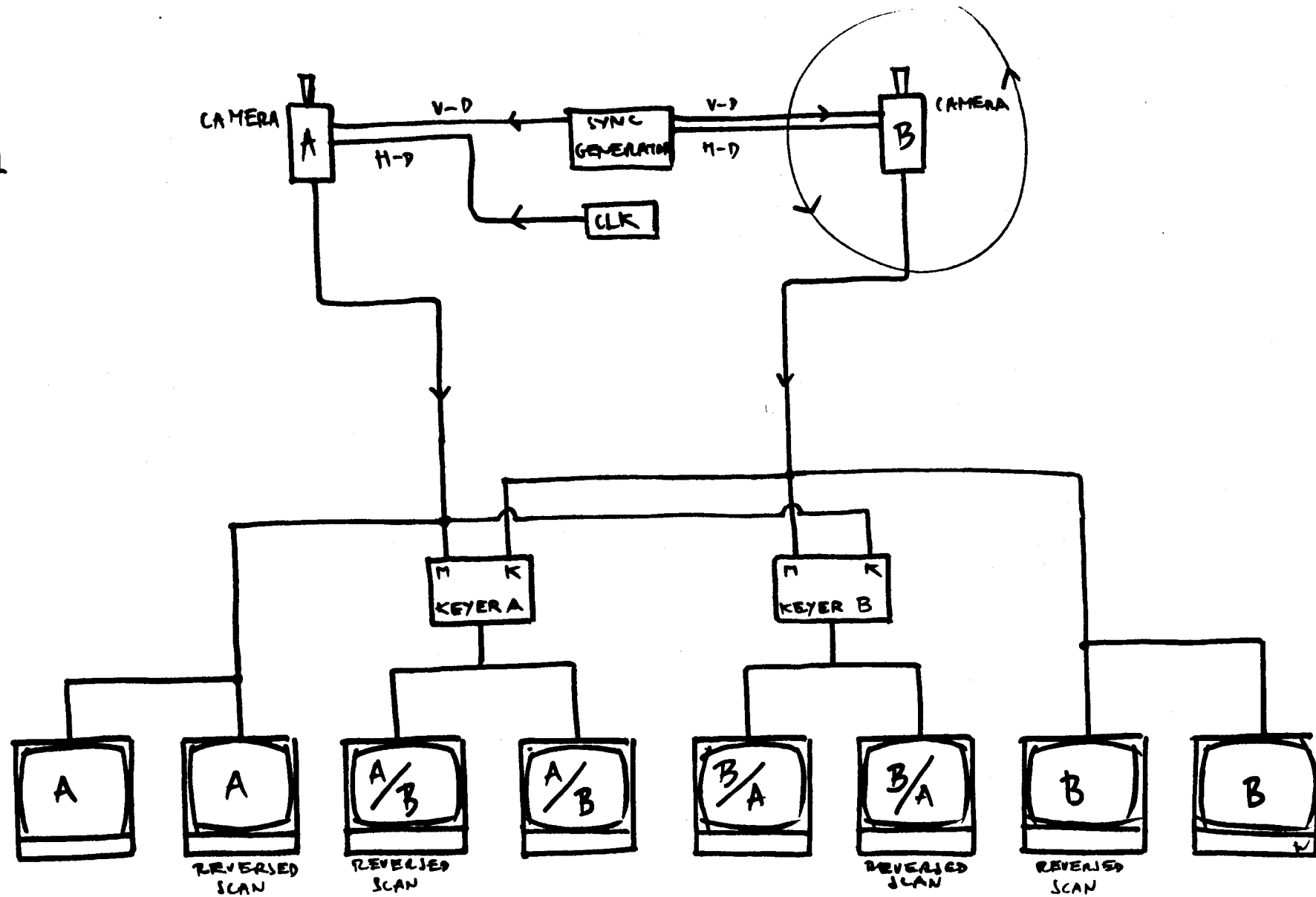
Space: A large, quiet room

In Santa Fe, 31-May-83

Steina & Woody Vasulka  
Rt. 6, Box 100  
Santa Fe, N.M. 87501  
Phone: 505-473-0614

DRIFT!

BLOCK DIAGRAM



u.