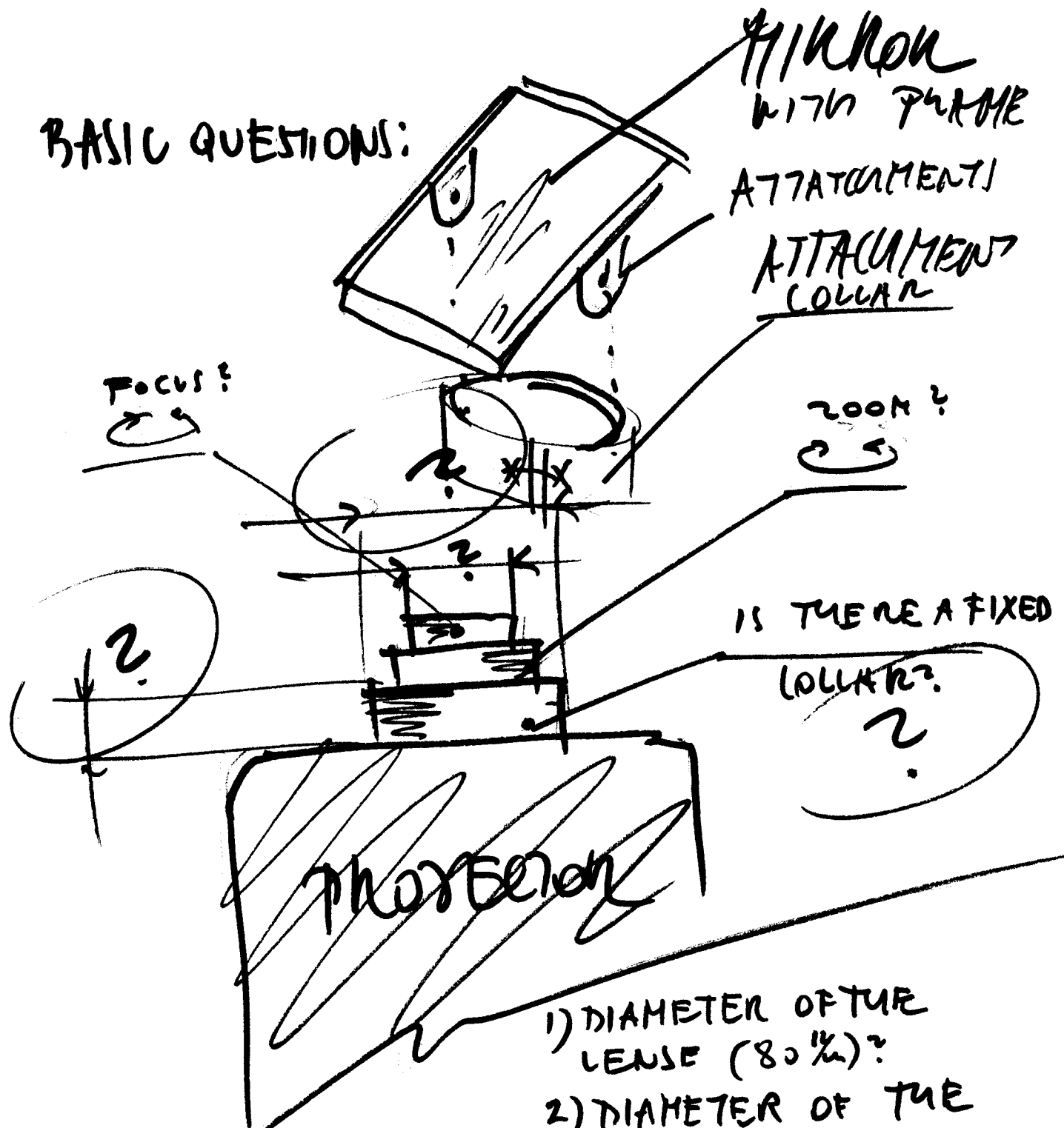


BASIC QUESTIONS:



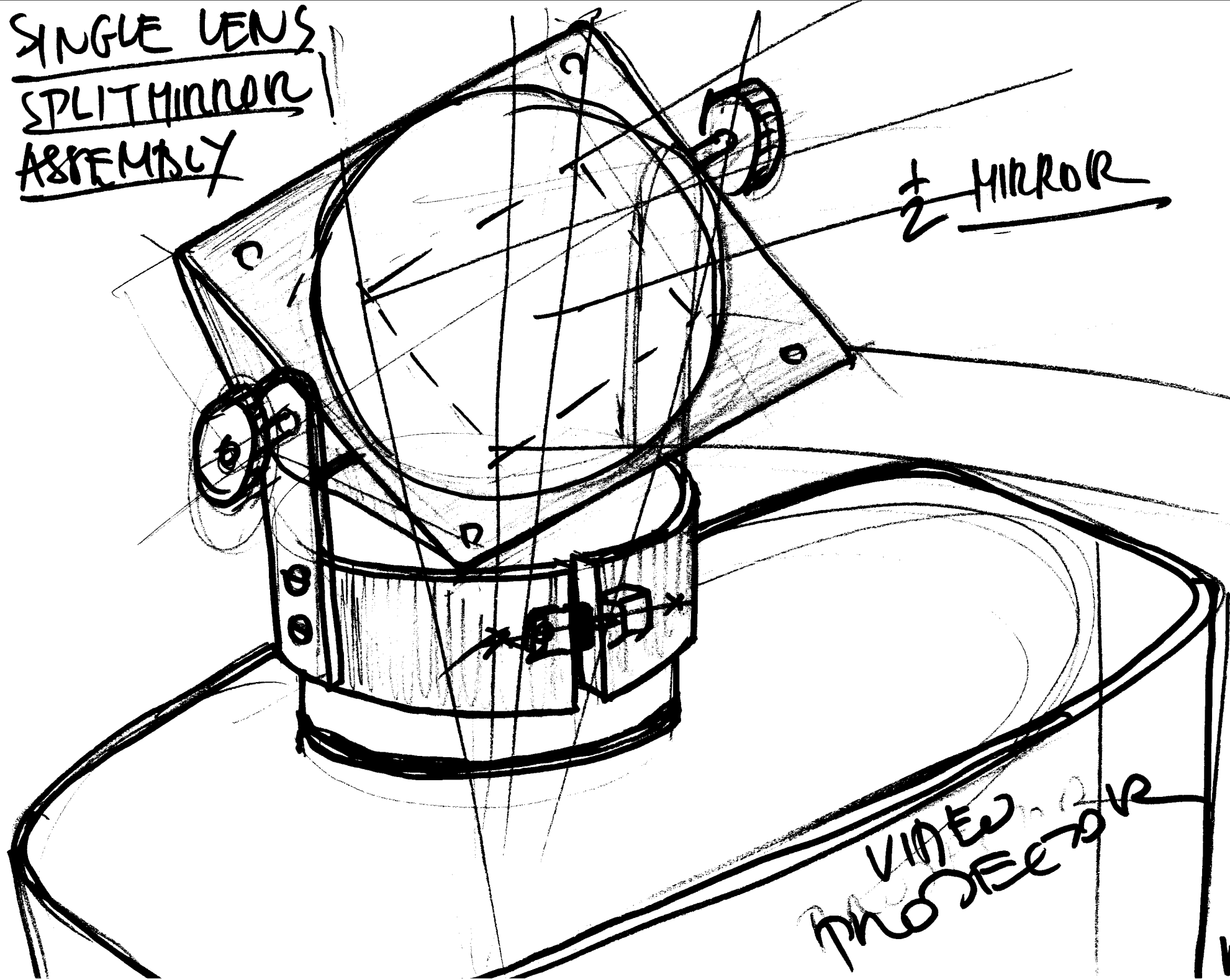
- 1) DIAMETER OF THE LENSE (80%)?
- 2) DIAMETER OF THE PROJECTOR BODY COLLAR
- 3) HEIGHT OF THE ABOVE

I HAVE 16x14 mm MIRRORS AVAILABLE (IN FRAME WITH ATTACHMENTS) CAN YOU DO THE BEST?)

W.

SINGLE LENS  
SPLIT MIRROR  
ASSEMBLY

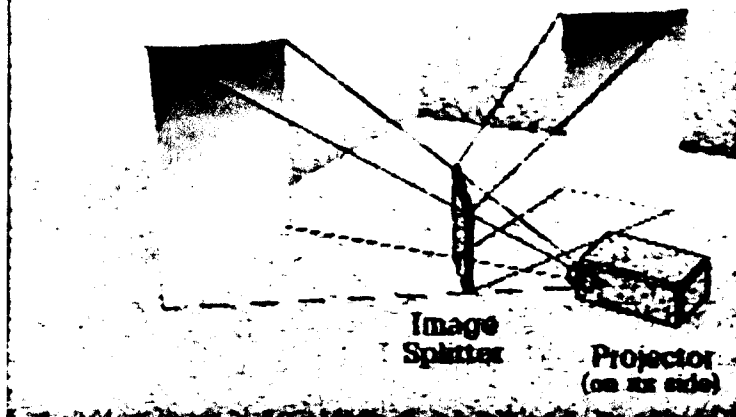
$\frac{1}{2}$  MIRROR



VIA  
PROBE OR

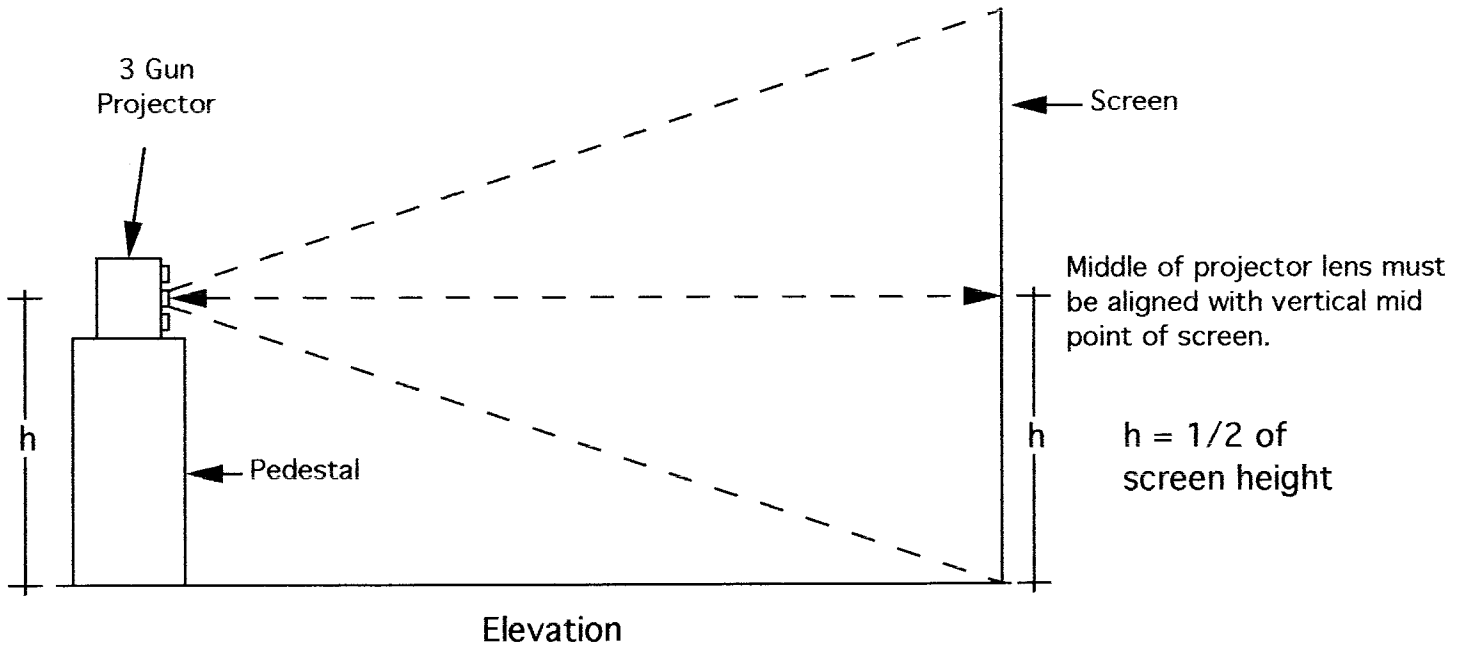
h.

# BOREALIS

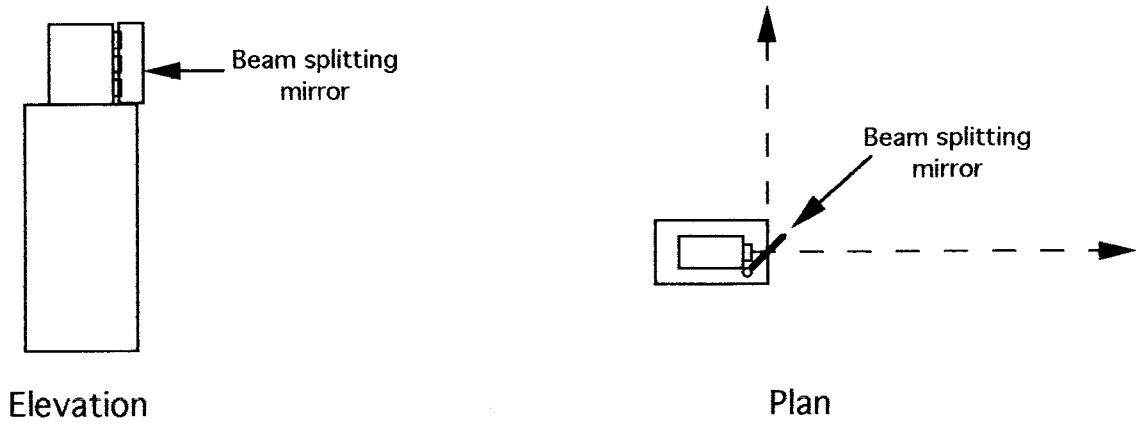


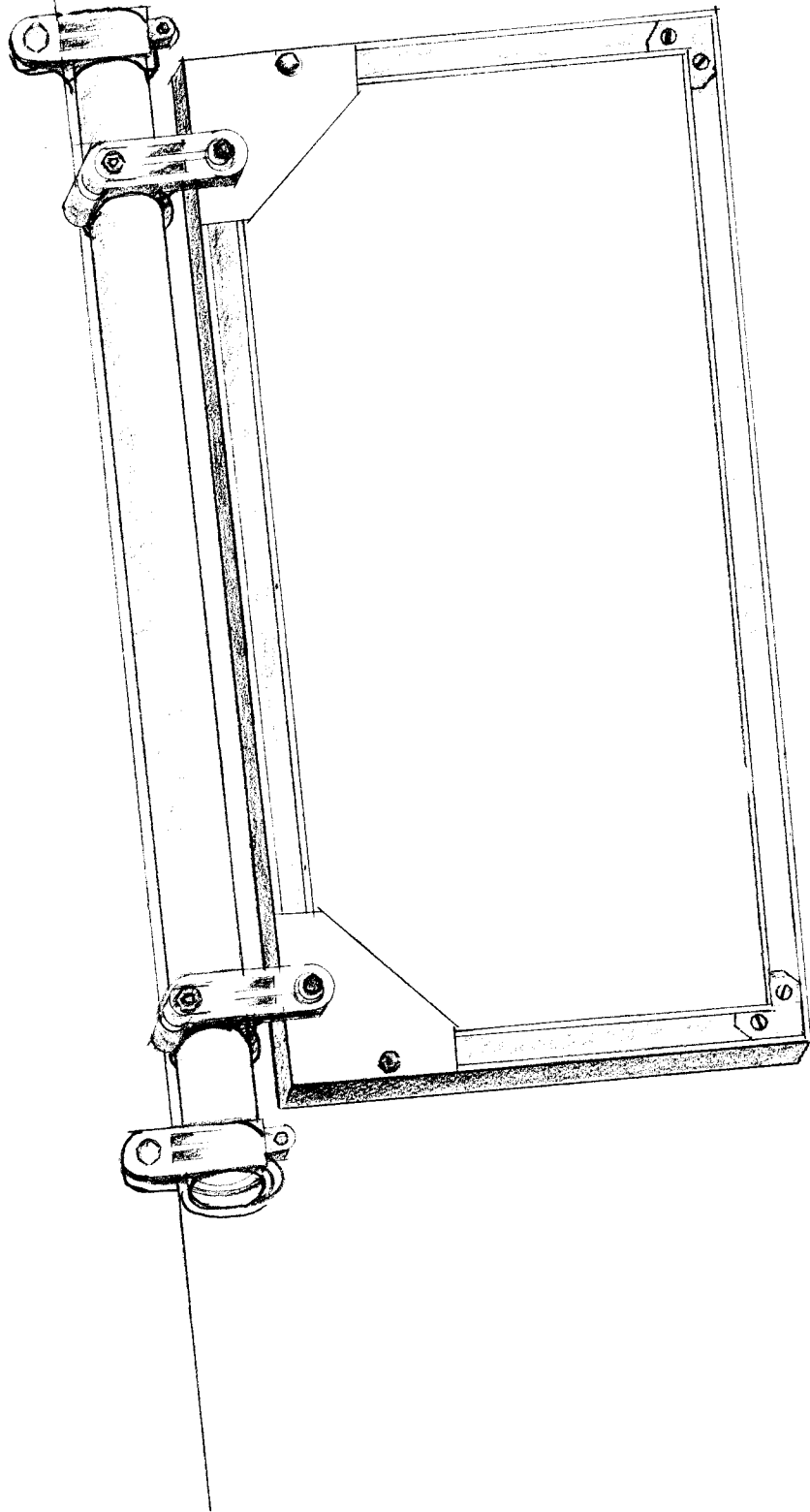
# Borealis

## Projector and Screen Alignment

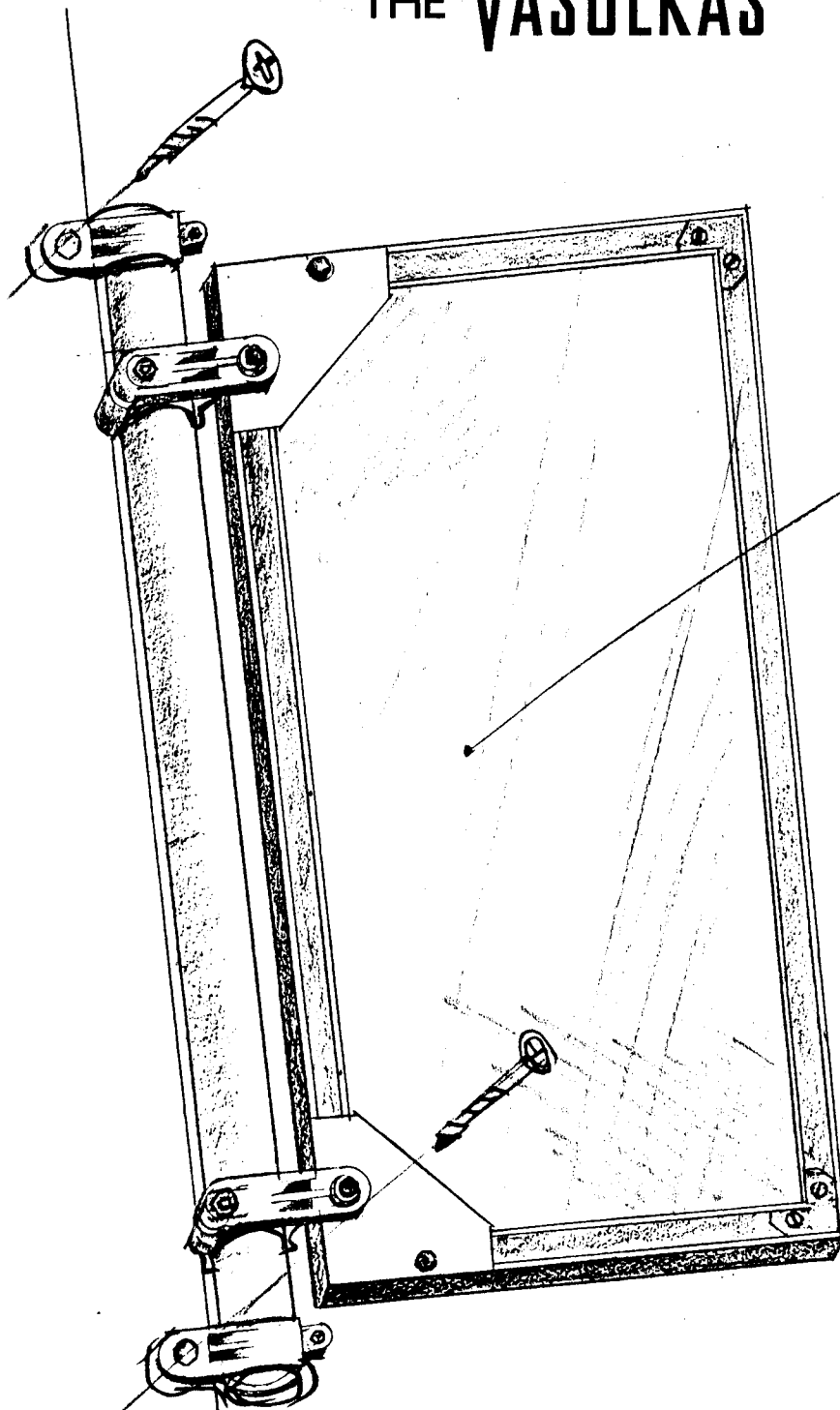


## Projector with Beam Splitter





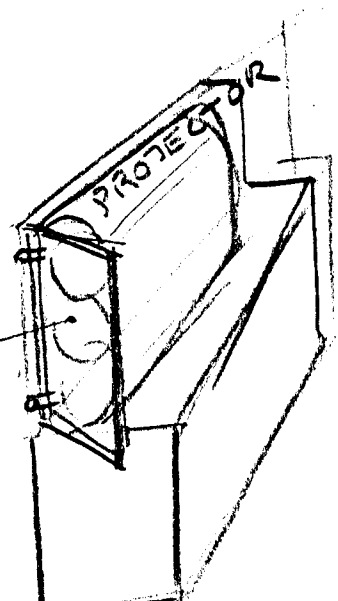
# THE VASULKAS



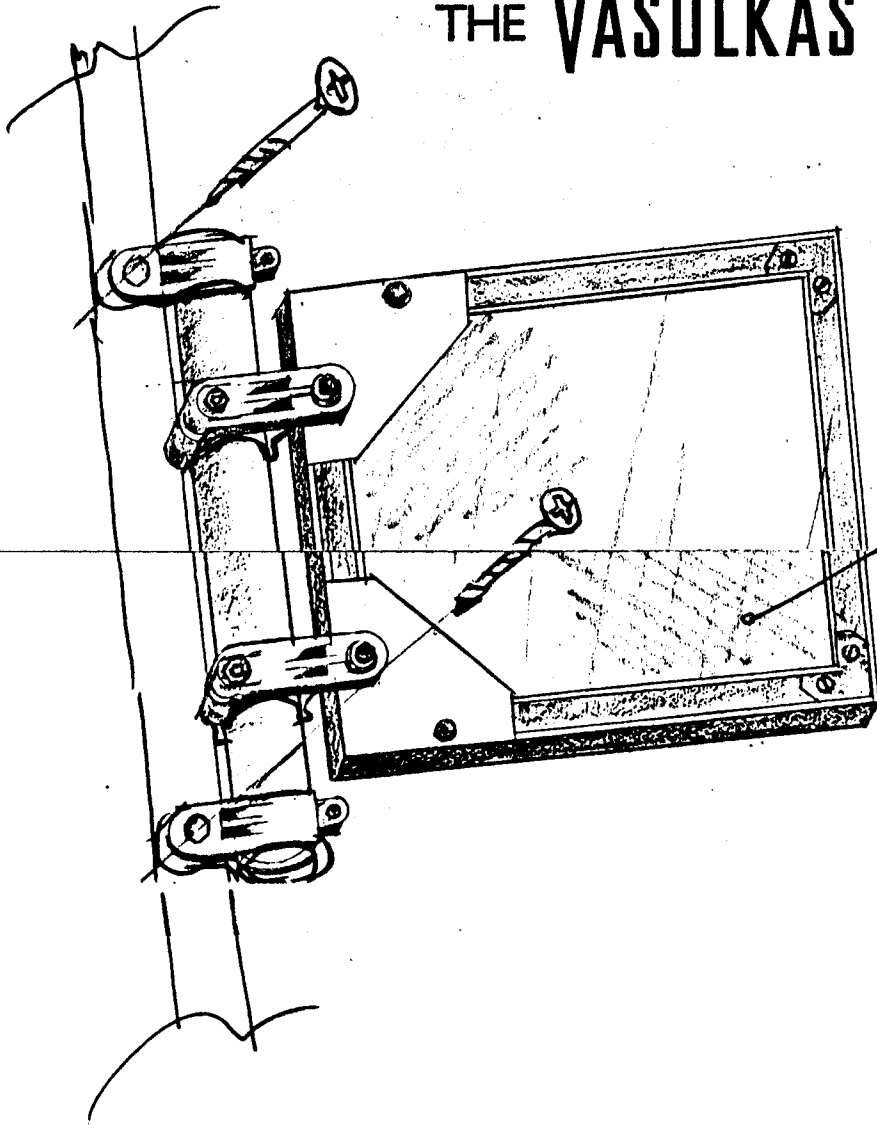
$\frac{1}{2}$  MIRROR

THREE LENS PROJECTOR  
SET UP

MIRROR

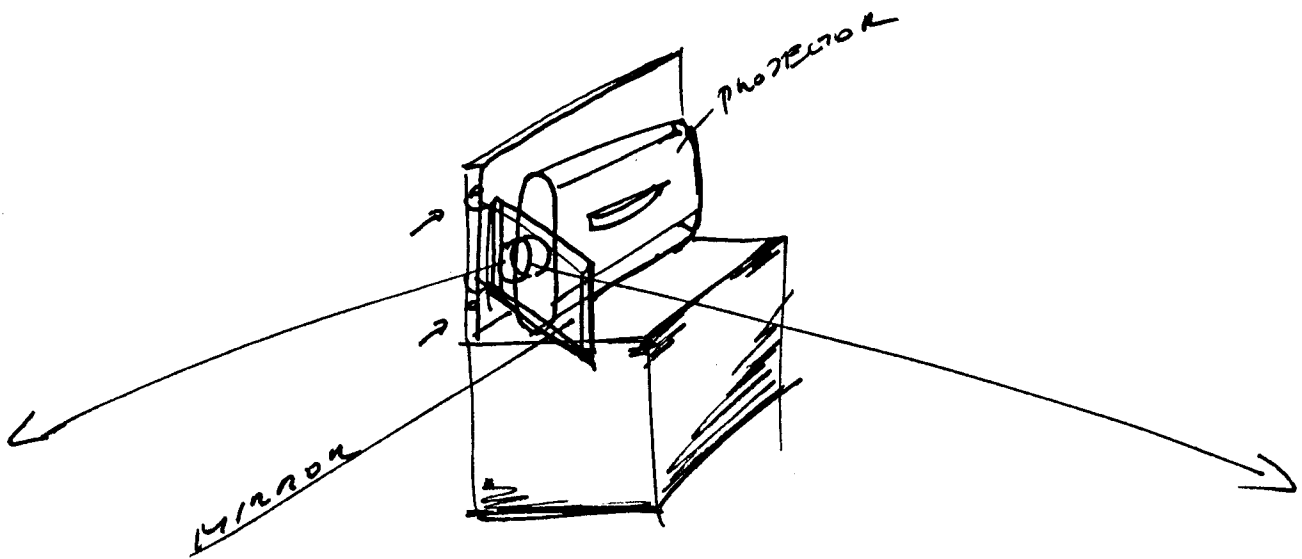


# THE VASULKAS



$\frac{1}{2}$  MIRROR

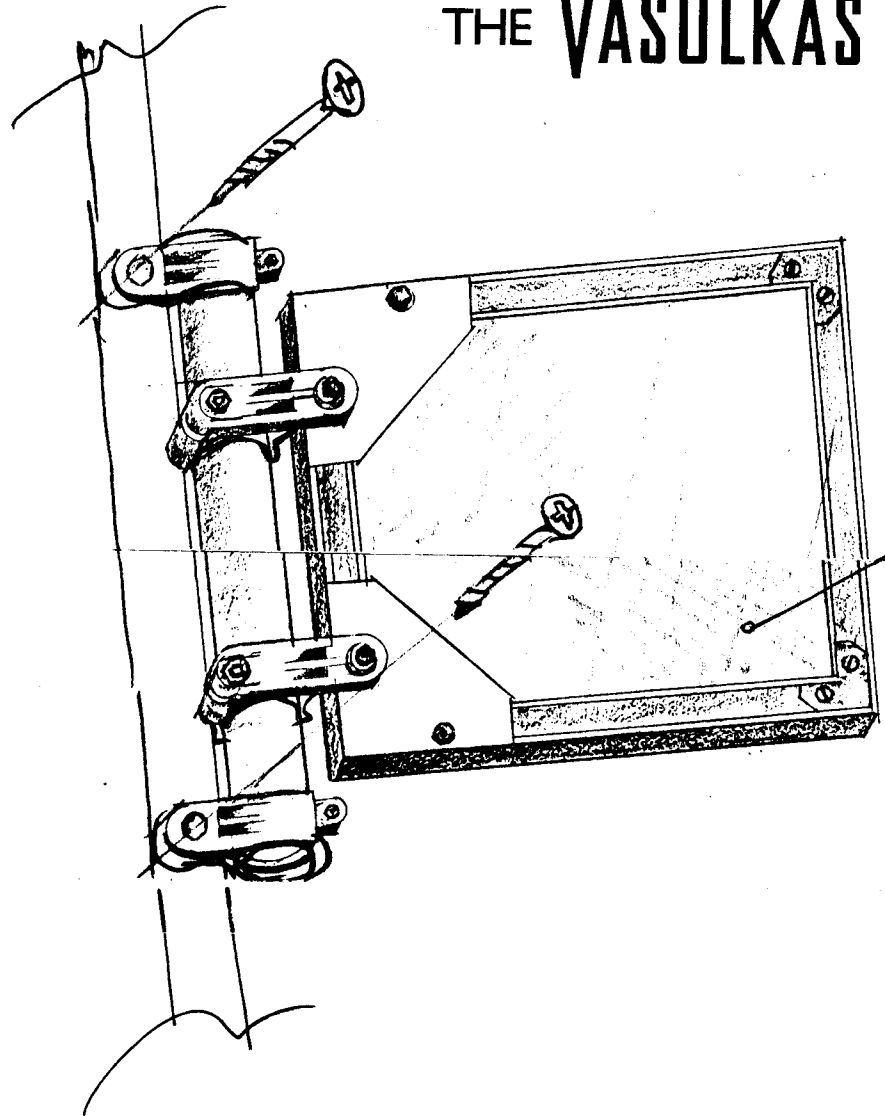
ECTOR



PROTECTOR

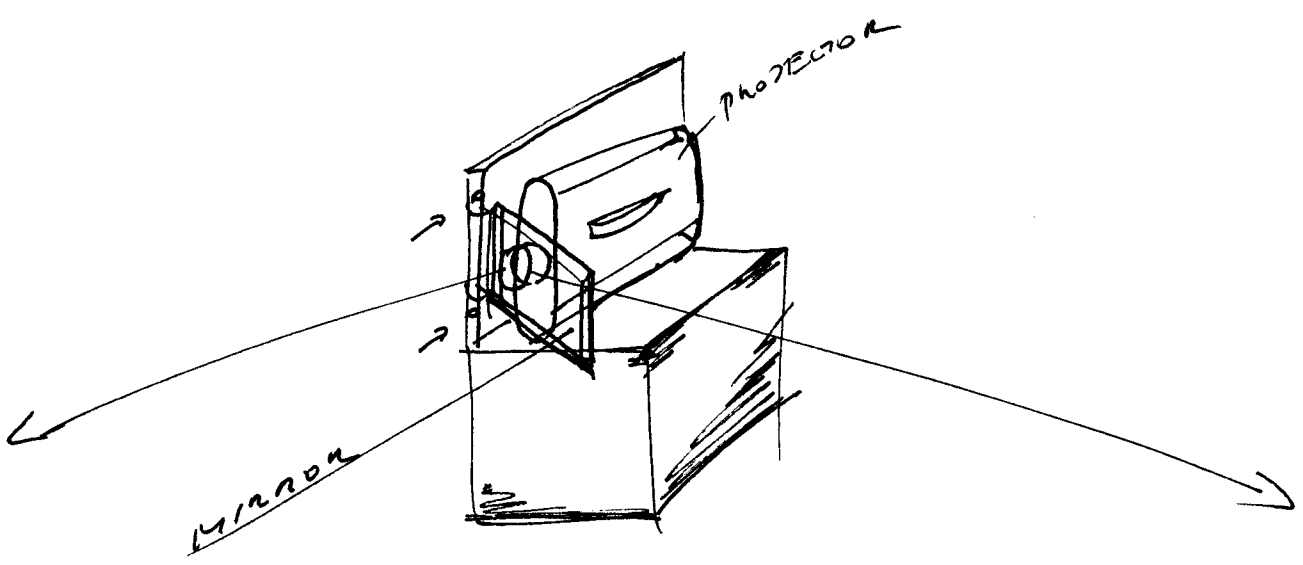
MIRROR

# THE VASULKAS



$\frac{1}{2}$  MIRROR

MIRROR





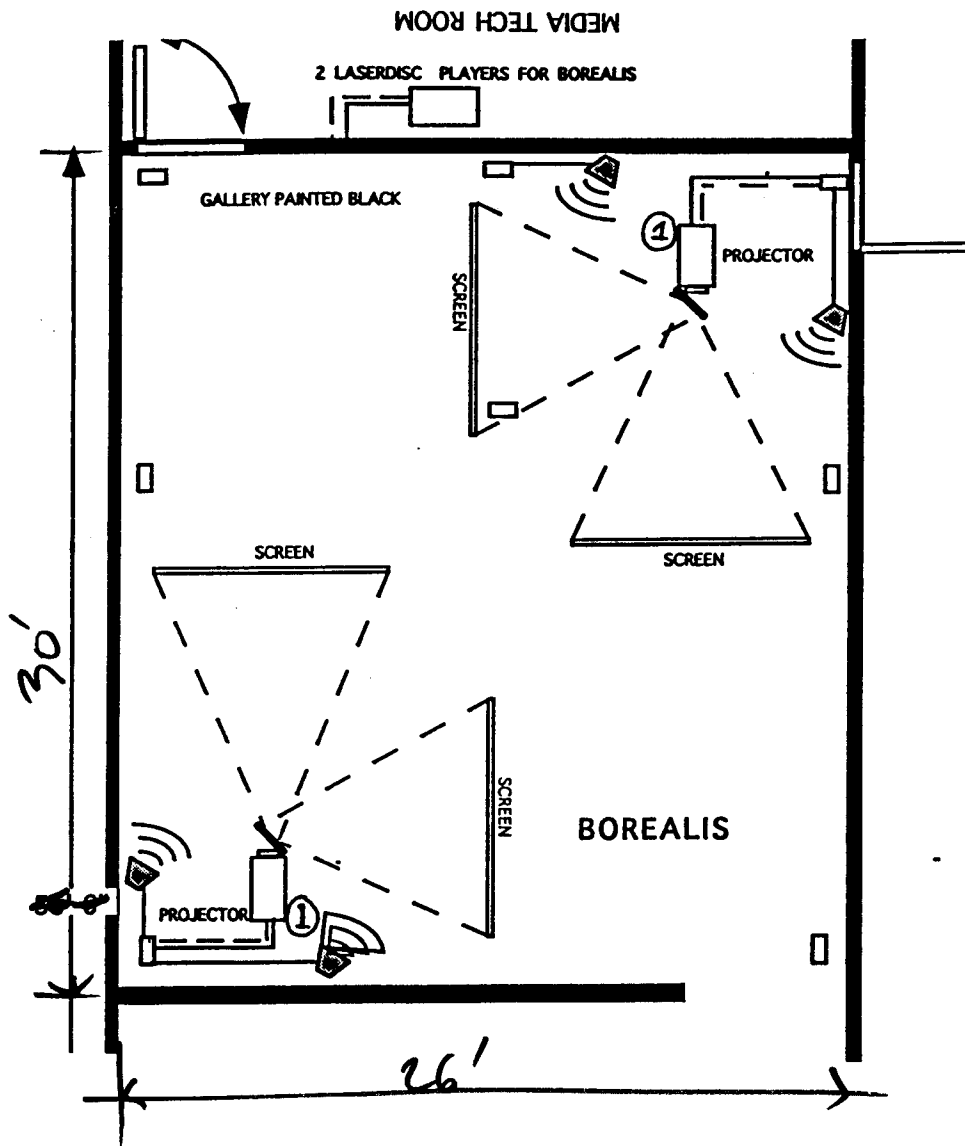


PORTALS - WES 1995



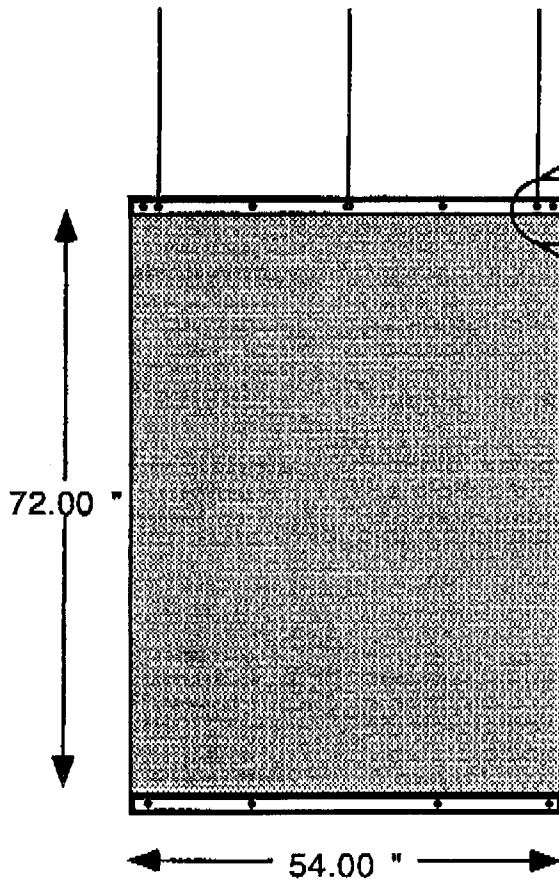
# THE VASULKAS

BOREALIS



ROUTE 6 BOX 100 SANTA FE NEW MEXICO 87501 PHONE 505•471•7181 FAX 505•473•0614

# BOREALIS

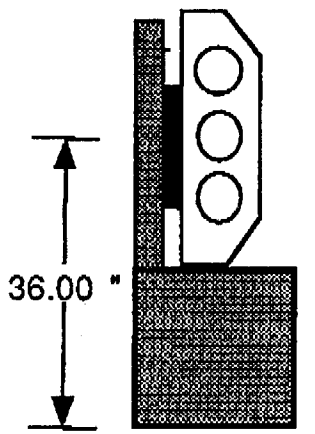


SCREENS FOR BOREALIS

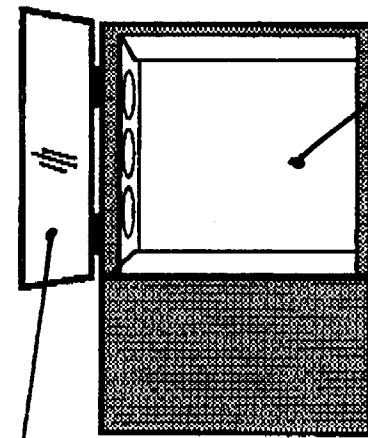
x4

**SFMOMA**

Steina and Woody Vasulka  
February 2 - March 31, 1995



FRONT VIEW



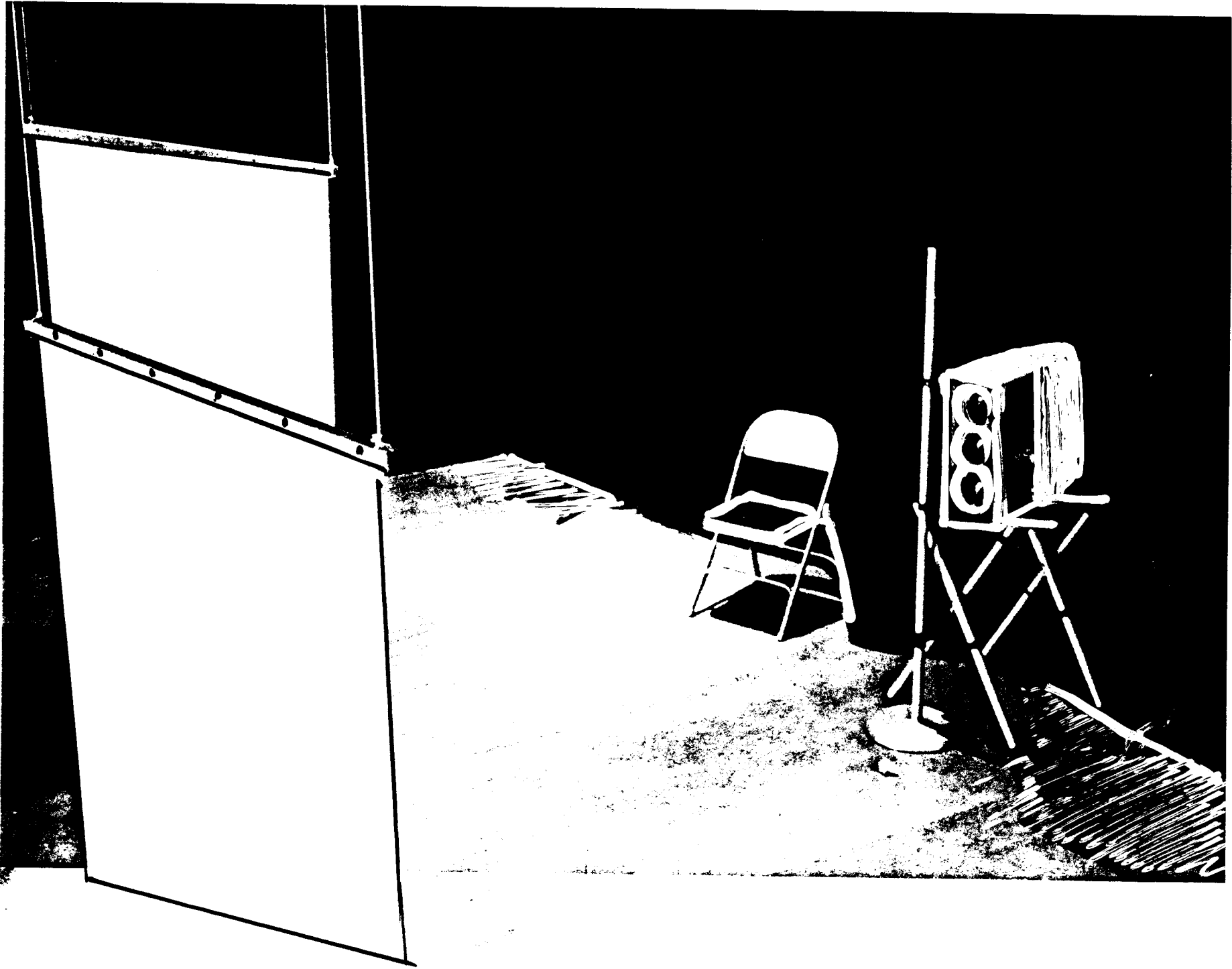
SIDE VIEW  
(WITH MIRROR ATTACHED)

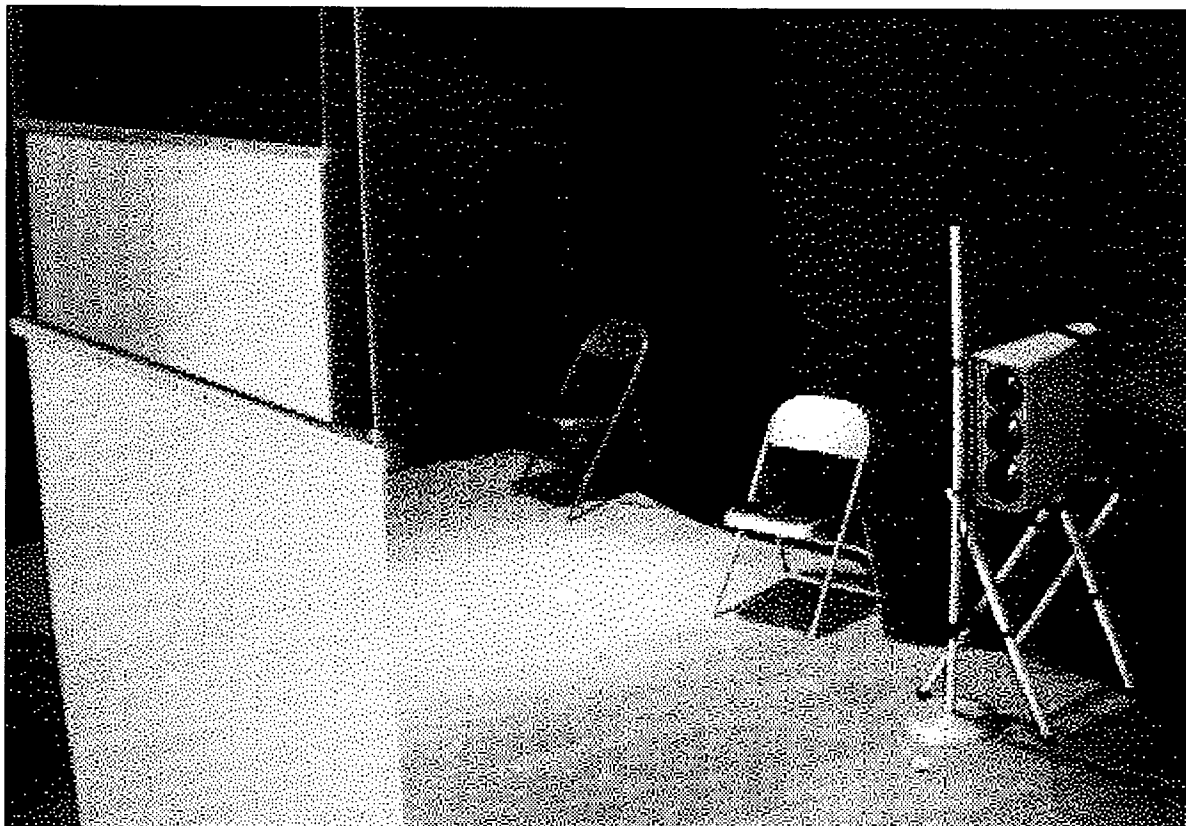
VIDEO  
PROJECTOR

BOREALIS PROJECTOR STANDS

x2

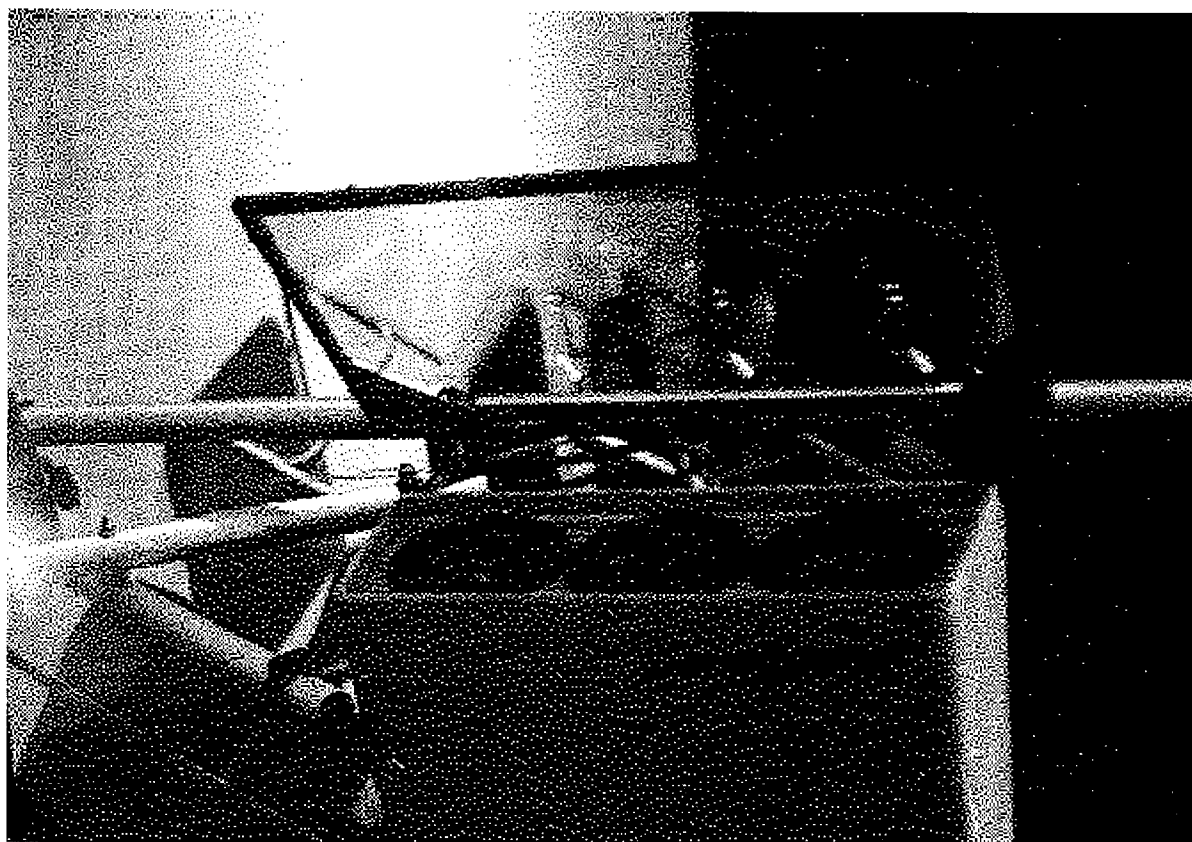
BUREAU - LACE - 1995 (SETUPS)

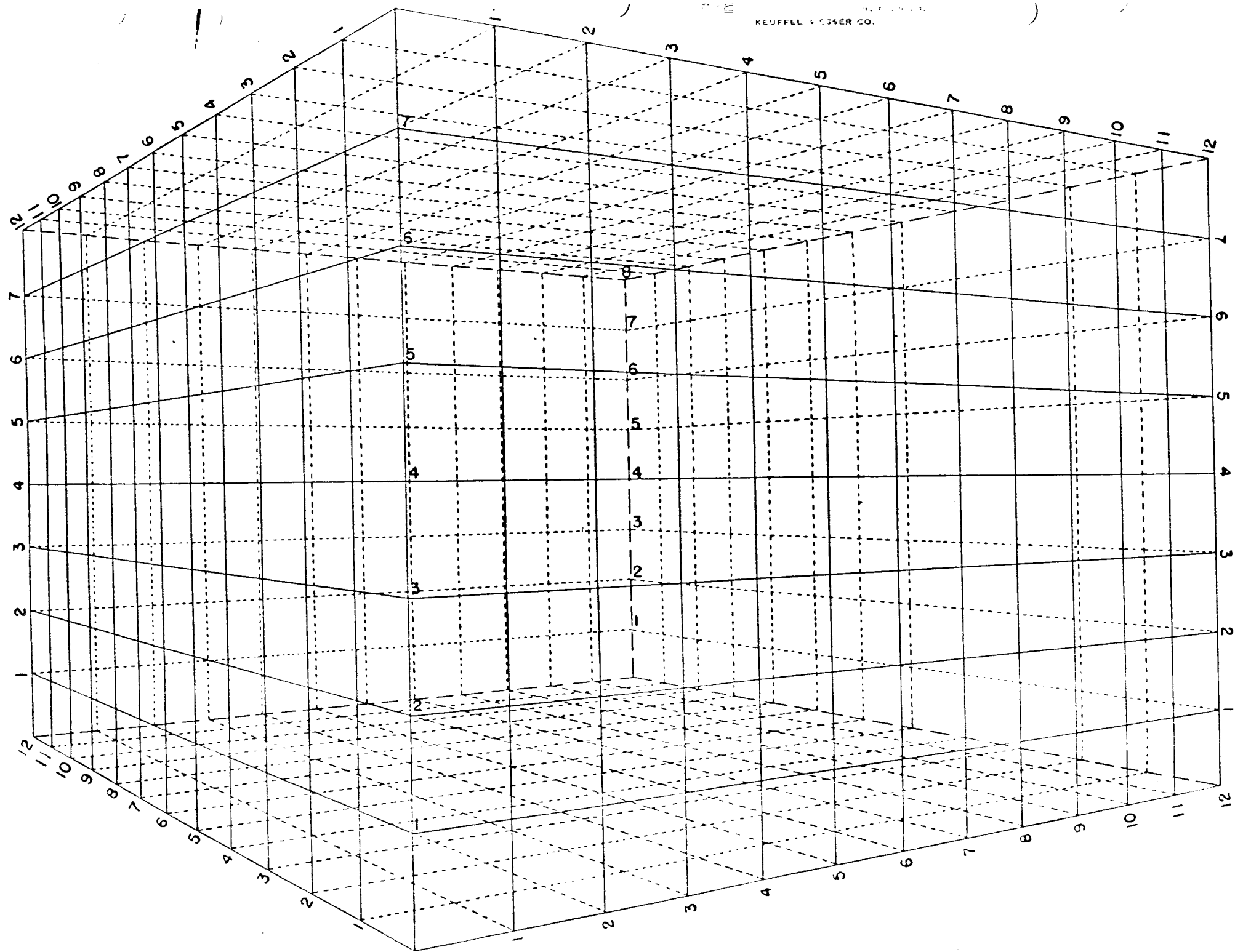


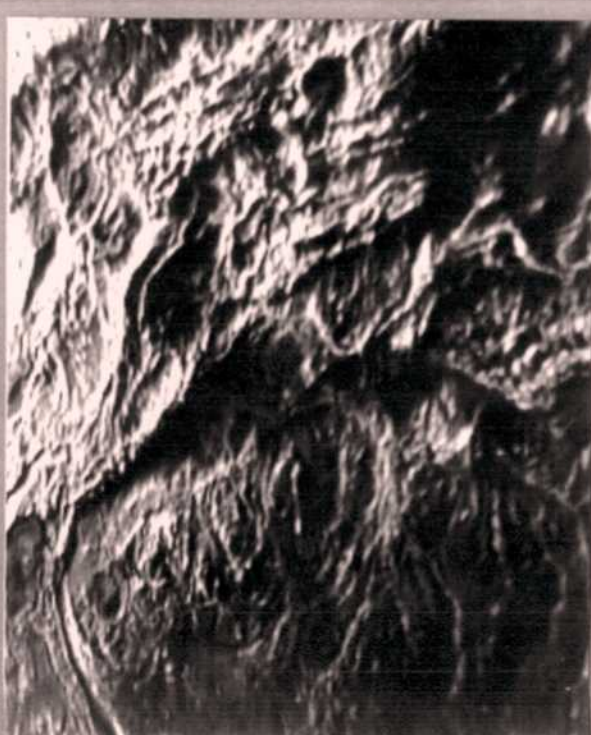
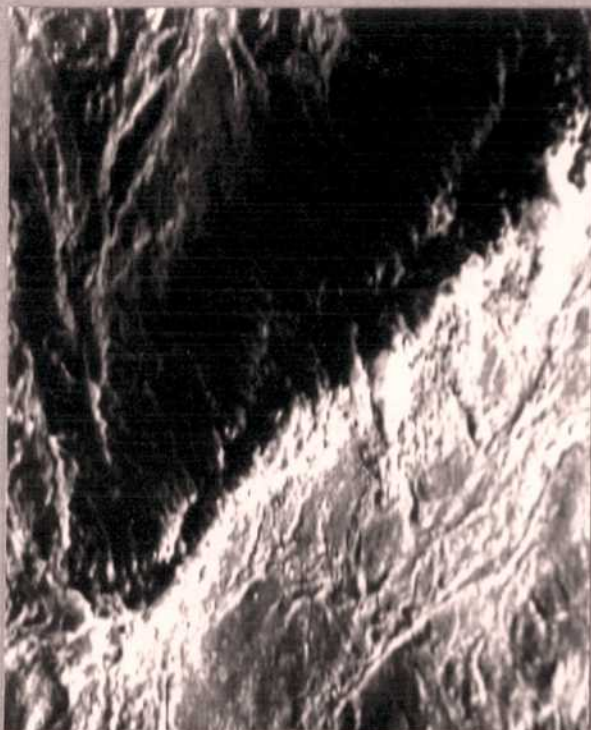


Borealis - screens, projector & mirror

Borealis - projector & mirror







THE VASULKAS INC.  
471-7181 FAX: 473-0614  
ROUTE 6 BOX 100

FROM VIDEO INSTALLATION  
BOREALIS by STEINA 199





